

BAW

H45~H680 Anti-Frost type series

Applicative units for: HVAC, Air condition system...etc

Working Pressure: 0.98Mpa (10kgf/cm²)

Working Temp. -15°C~100°C

Connection: Wafer Type

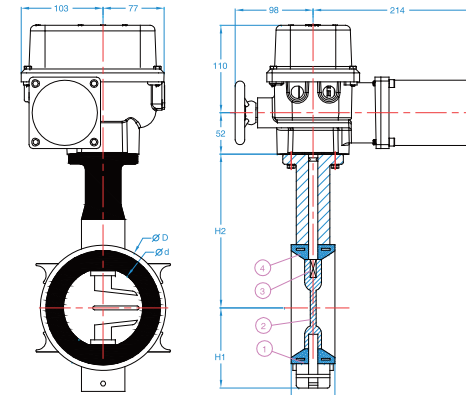
Suitable actuator: H45~H680 model



H115-BAW

H150-BAW

ITEM	PARTS	MATERIAL
1	BODY	ALUMINUM DIECAST ALLOY
2	DISC	STAINLESS STEEL TYPE 316
3	STEM	STAINLESS STEEL TYPE 420J2
4	SEAT	NBR / EPDM



H150~H240

BAW series

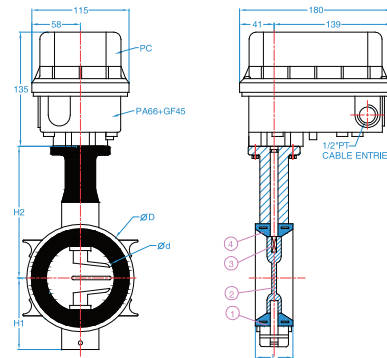
Unit [mm]							[kg]
IN	SIZE	∅d	∅D	L	H1	H2	N.W ±1
4	100	101	147	52	98	167	8.5
5	125	126	178	56	115	191	9.5
6	150	150	207	56	131	202	11
8	200	196	253	60	163	227	22

Model No.	H150A2208-BAW-	H220A2240-BAW-	H240A2280-BAW-	MH200A2240-BAW-	MH220A2280-BAW-
Size range	DN100 to DN150	DN100 to DN150	DN100 to DN200	DN100 to DN150	DN100 to DN150
Voltage supply 50/60Hz	AC220V ±10%	AC220V ±10%	AC220V ±10%	AC220V ±10%	AC220V ±10%
Control Signal	ON-OFF	ON-OFF	ON-OFF	4-20mA / 2-10V	4-20mA / 2-10V
Running current	1A	1.5A	1.5A	1.5A	1.5A
Timing Nominal Driving quarter turn to open / close gate of valve	50Hz	10sec	42sec	42sec	83sec
	60Hz	8sec	40sec	80sec	80sec
Motor Power	180W	40W	40W	40W	40W
Performance Operation	Non consecutive running	Consecutive running	Consecutive running	Consecutive running	Consecutive running
Insulation level	E class				
Waterproof level	IP66				
Storage Temp. Range	-10°C to 50°C				
Operating Humidity Range	5 to 90% RH				
Electrical connection	1/2" cable connector				
Diameter of cable	1.25mm				
Optional Items	Auxiliary switches 2(SPDT) / Potentiometer 1KΩ		4-20mA Feedback		

H45~H115

BAW series

Unit [mm]							[kg]
IN	SIZE	∅d	∅D	L	H1	H2	N.W ±1
1 1/2	40	45	80	35	61	132	4
2	50	52	91	43	66	138	4
2 1/2	65	65	111	46	72	151	4.5
3	80	80	127	46	85	156	4.8

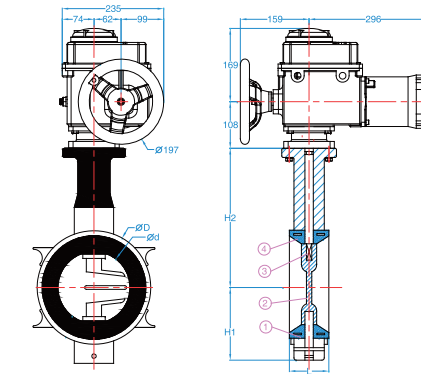


Model	H45A2250-BAW-	H70A2207-BAW-	H70A2275-BAW-	H115A22115-BAW-	MH42A2250-BAW-	MH67A2275-BAW-
Size range	DN50 to DN65	DN40	DN50 to DN80	DN50 to DN80	DN50 to DN80	DN50 to DN80
Voltage supply (50/60Hz)	AC220V ±10%	AC220V ±10%	AC220V ±10%	AC220V ±10%	AC220V ±10%	AC220V ±10%
Control Signal	ON-OFF	ON-OFF	ON-OFF	ON-OFF	0/4-20mA, 1/2-10mA, 0/2-10Vdc	0.2A
Running current	0.2A	0.3A	0.2A	0.3A	0.2A	0.2A
Timing Nominal Driving quarter turn to open / close gate of valve	50Hz	60sec	8sec	95sec	16sec	60sec
	60Hz	50sec	7sec	75sec	15sec	50sec
Motor Power	10W	35W	10W	35W	10W	10W
Performance Operation	Consecutive running	Non Consecutive running	Consecutive running	Non Consecutive running	Consecutive running	Consecutive running
Insulation level	E class					
Waterproof level	IP66					
Storage Temp. Range	-10°C to 50°C					
Operating Humidity Range	5 to 90% RH					
Electrical connection	1/2" cable connector					
Diameter of cable	1.25mm					
Optional Items	Auxiliary switches 2(SPDT) / Potentiometer 1 KΩ			4-20mA Feedback		

H400~H680

BAW series

Unit [mm]							[kg]
IN	SIZE	∅d	∅D	L	H1	H2	N.W ±1
8	200	196	253	60	163	227	40
10	250	248	313	68	202	280	41
12	300	297	368	78	232	312	46.5



Model No.	H400A2208-BAW-	H680A2235-BAW-	MH680A2235-BAW-
Size range	DN200 to DN300	DN200 to DN350	DN200 to DN350
Voltage supply 50/60Hz	AC220V ±10%	AC220V ±10%	AC220V ±10%
Control Signal	ON-OFF	ON-OFF	4-20mA / 2-10V
Running current	1.8A	1.7A	1.7A
Timing Nominal Driving quarter turn to open / close gate of valve	50Hz	9sec	37sec
	60Hz	8sec	35sec
Motor Power	280W	280W	280W
Performance Operation	Non consecutive running	Non consecutive running	Consecutive running
Insulation level	E class		
Waterproof level	IP66		
Storage Temp. Range	-10°C to 50°C		
Operating Humidity Range	5 to 90% RH		
Electrical connection	1/2" cable connector		
Diameter of cable	1.25mm		
Optional Items	Auxiliary switches 2(SPDT) / Potentiometer 1KΩ		4-20mA Feedback